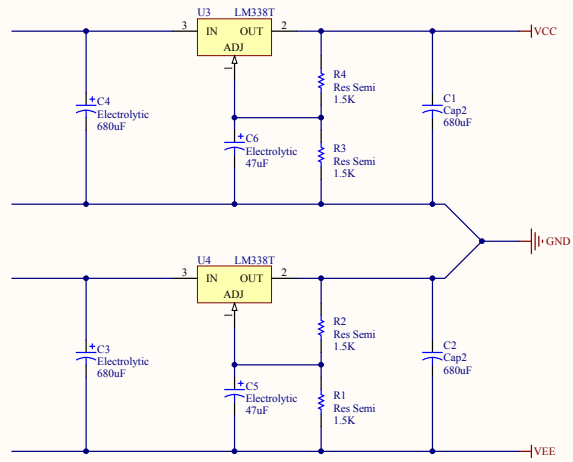


Title		
Size	Number	Revision
A4		
Date:	29/07/2012	Sheet of
File:	C:\s3tup\Altium\LM3886\Amplifier.SchDoc	Drawn By:



Title		
Size A3	Number	Revision
Date: 29/07/2012	Sheet of	
File: C:\3up\Altium\LM3886\Supply_SchDoc	Drawn By:	