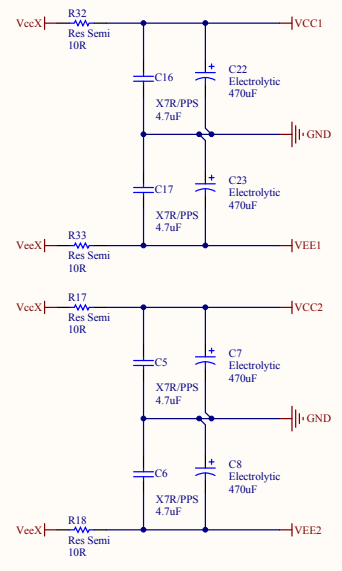
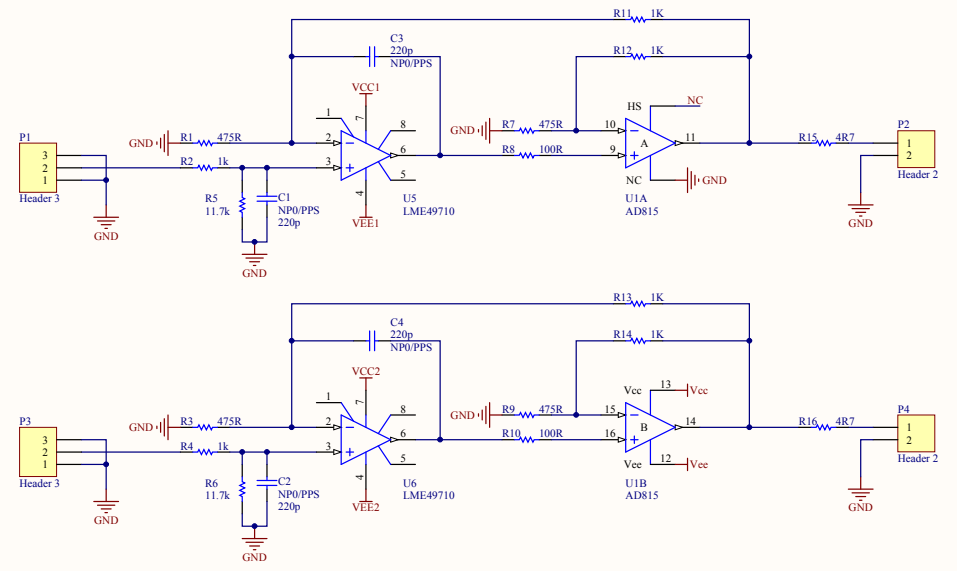
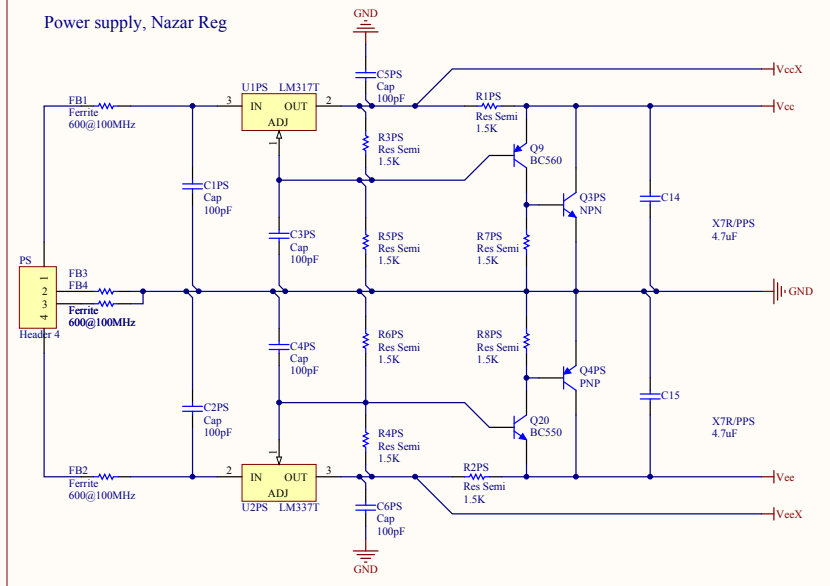


Power supply, Nazar Reg



Title		
Size A3	Number	Revision
Date: 24/04/2013	Sheet of	
File: C:\3up\Altum\AD815\Sheet1 SchDoc	Drawn By:	