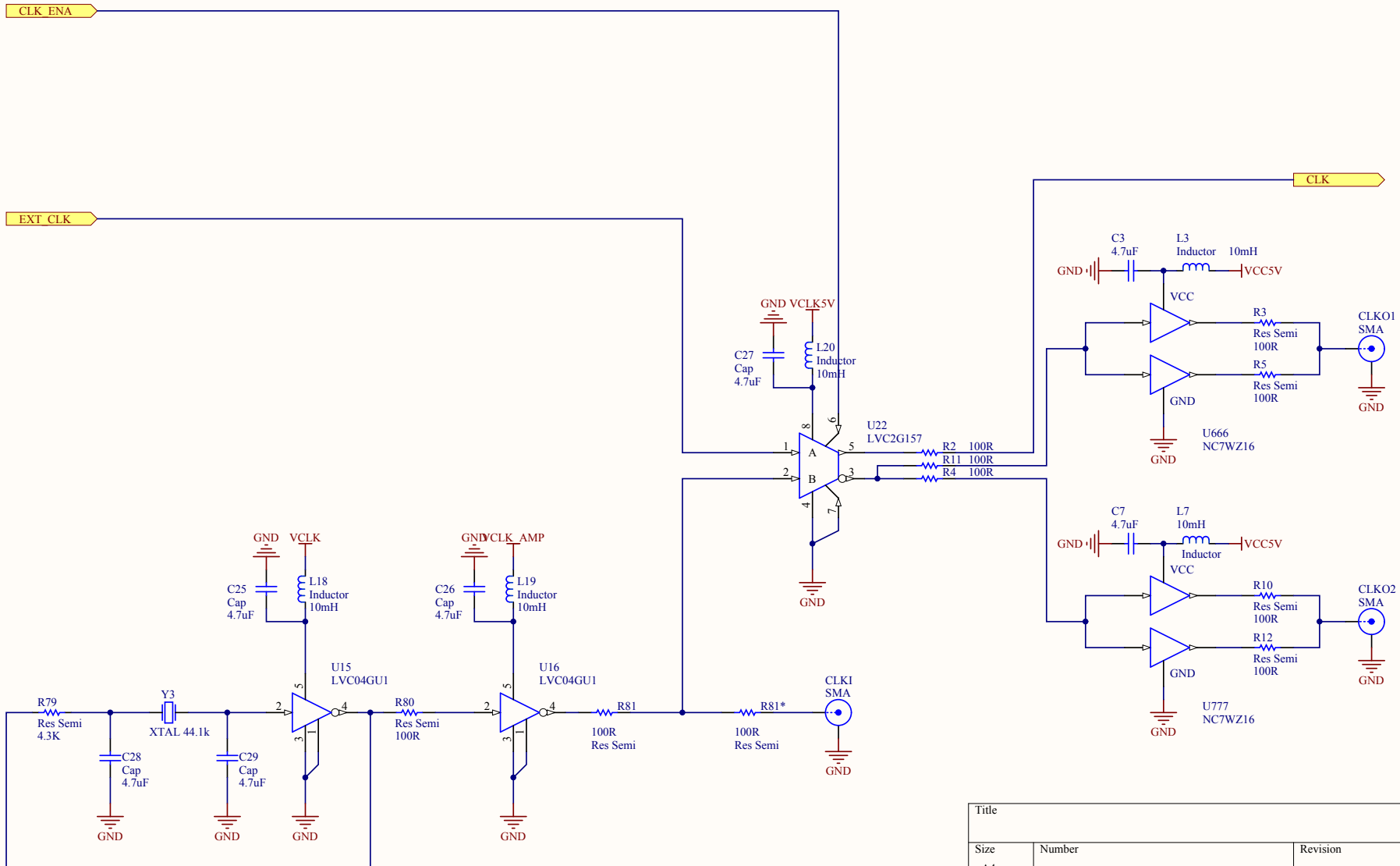
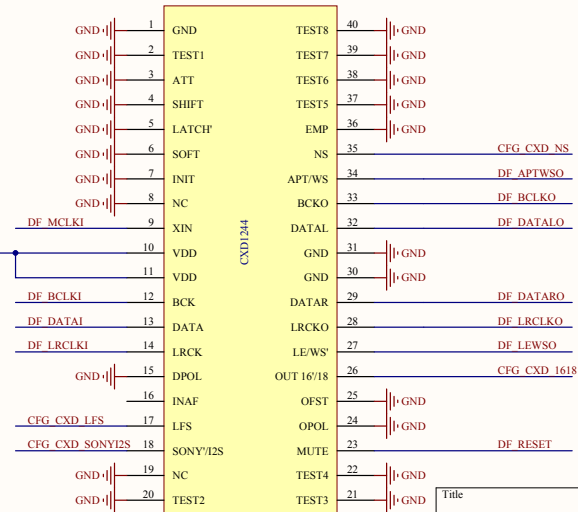
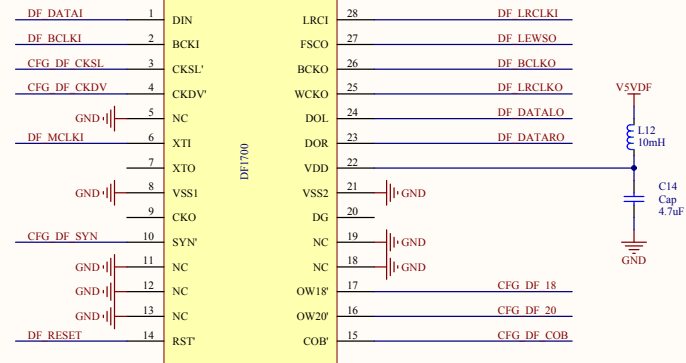
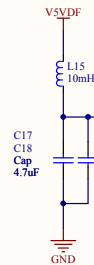
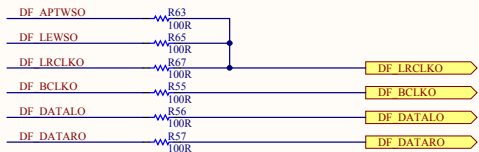
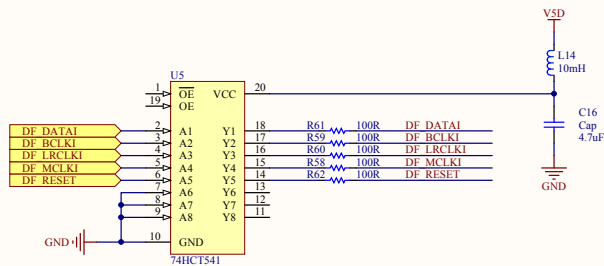
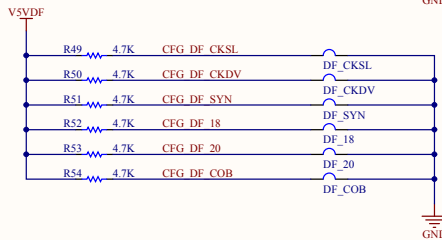
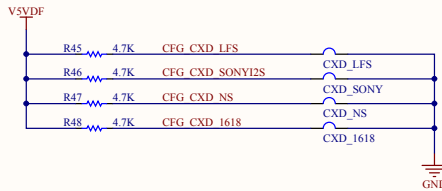


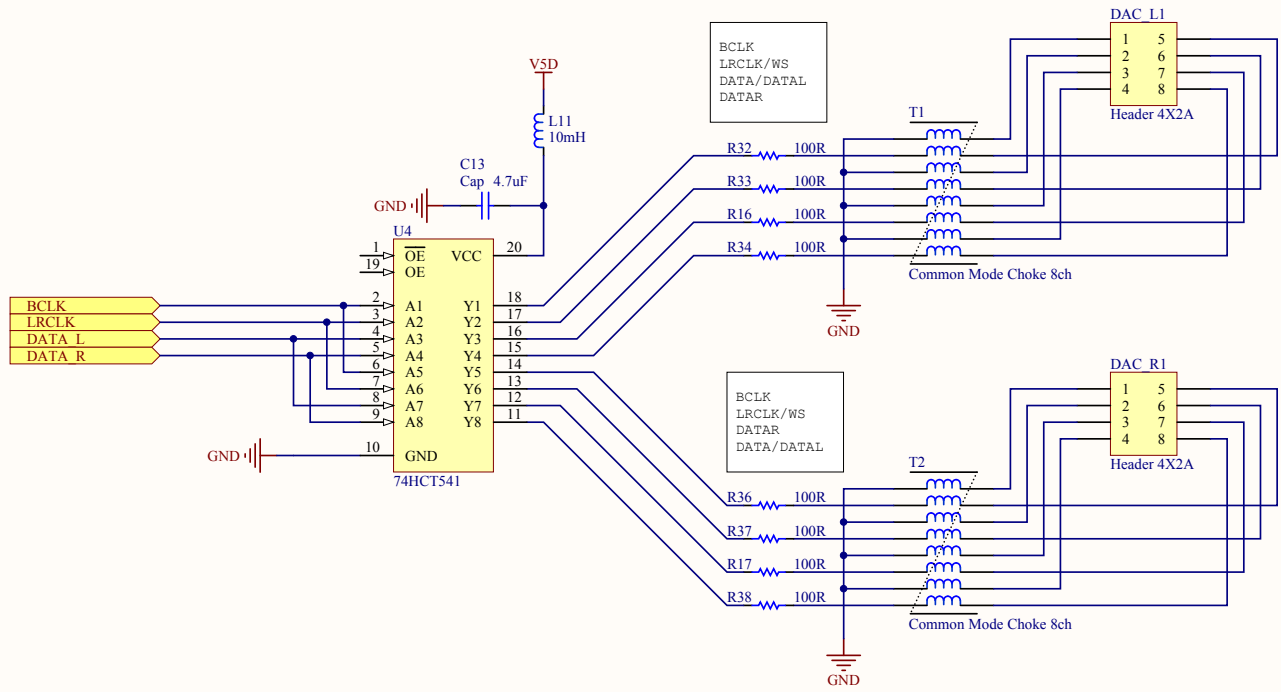
Title		
Size	Number	Revision
A4		
Date:	06/05/2014	Sheet of
File:	C:\s3tup\A\TOP.SchDoc	Drawn By:



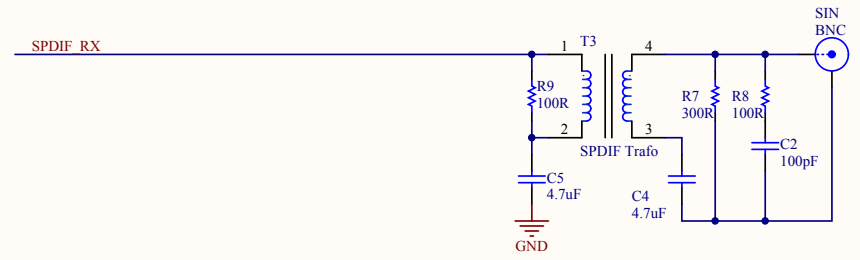
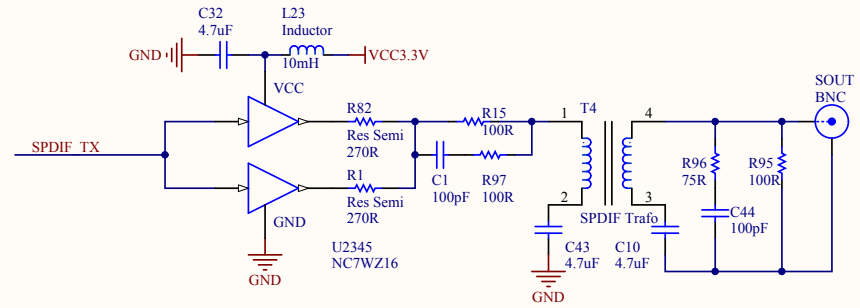
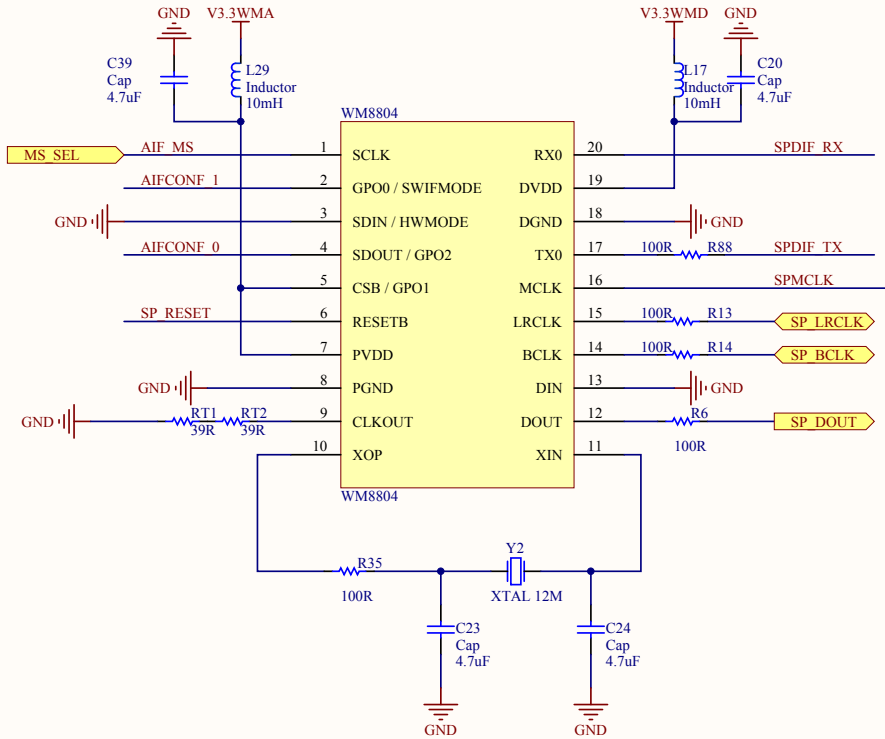
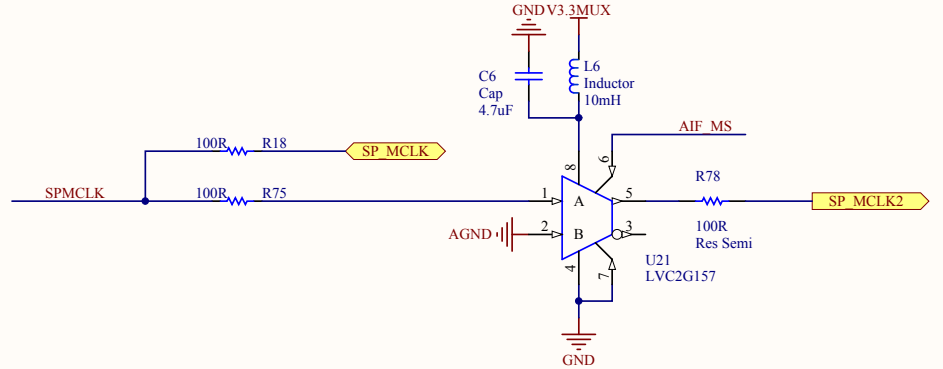
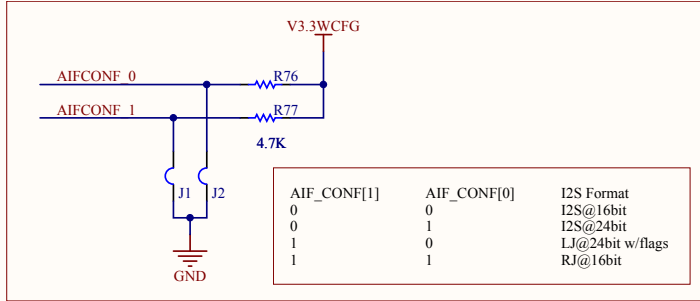
Title		
Size	Number	Revision
A4		
Date:	06/05/2014	Sheet of
File:	C:\s3tup\...\Clocking_SchDoc	Drawn By:



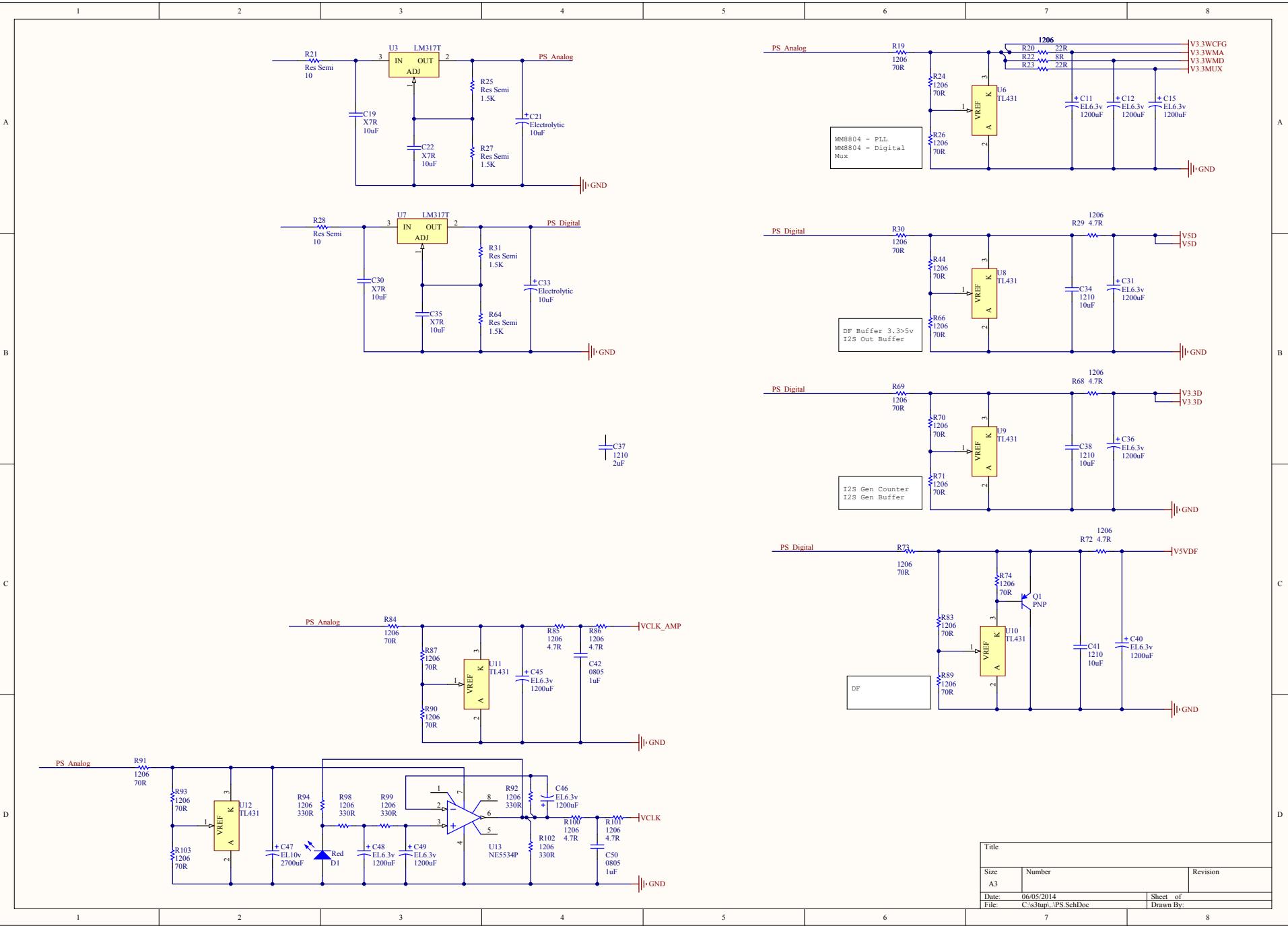
Title		
Size	Number	Revision
A3		
Date:	06/05/2014	Sheet of
File:	C:\3rup...DF_UMI_SchDoc	Drawn By:



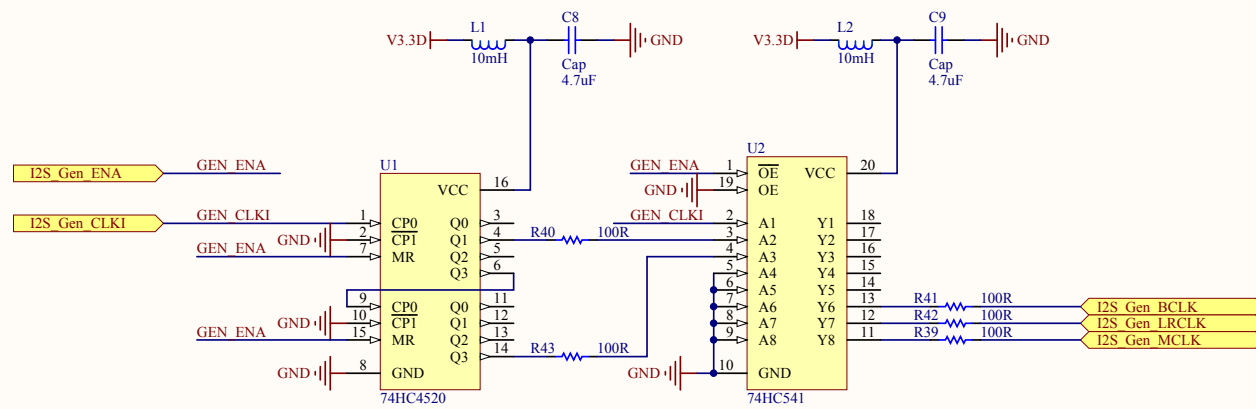
Title		
Size	Number	Revision
A4		
Date:	06/05/2014	Sheet of
File:	C:\s3tup\DAC_OUT.SchDoc	Drawn By:



Title		
Size	Number	Revision
A4		
Date:	06/05/2014	Sheet of
File:	C:\s3tup\WM8804.SchDoc	Drawn By:



Title		
Size	Number	Revision
A3		
Date:	06/05/2014	Sheet of
File:	C:\supp\PS SchDoc	Drawn By:



Title		
Size	Number	Revision
A4		
Date:	06/05/2014	Sheet of
File:	C:\s3tup\I2S_Generator.SchDoc	Drawn By:

Comment	Description	Designator	Footprint	LibRef	Quantity
Cap	Capacitor	C1, C2, C3, C4, C5, C6, C7, C8, C9, C10, C13, C14, C16, C17, C18, C20, C23, C24, C25, C26, C27, C28, C29, C32, C39, C43, C44	Cap_1206	Cap	27
EL6.3v	Polarized Capacitor (Radial)	C11, C12, C18, C31, C36, C40, C45, C46, C48, C49	ELCAP 8MM 3.5SP	Cap Pol1	10
X7R	Capacitor	C19, C22, C30, C35	Cap_1206	Cap	4
Electrolytic	Polarized Capacitor (Radial)	C21, C33	1210_TH	Cap Pol1	2
1210	Capacitor	C34, C37, C38, C41	Cap_1210	Cap	4
0805	Capacitor	C42, C50	Cap_1210	Cap	2
EL10v	Polarized Capacitor (Radial)	C47	ELCAP 8MM 3.5SP	Cap Pol1	1
SMA	SMA Straight Connector	CLK1, CLK01, CLK02	SMB_V-RJ45	SMA	3
CXD1244S		CXD1244	CXD1244S	CXD1244S	1
MicroJumper		CXD_1618, CXD_LFS, CXD_NS, CXD_SONY, DF_18, DF_20, DF_CKDV, DF_CKSL, DF_COB, DF_SYN, J1, J2	Jumper	MicroJumper	12
Red	Typical RED, GREEN, YELLOW, AMBER GaAs LED	D1	3.2X1.6X1.1	LED2	1
Header 4X2A	Header, 4-Pin, Dual row	DAC_L1, DAC_R1	HDR2X4_CEN	Header 4X2A	2
DF1700		DF1700	DIP-P28	DF1700	
Inductor	Inductor	L1, L2, L3, L6, L7, L11, L12, L14, L15, L17, L18, L19, L20, L23, L29	Ferrite_1206	Inductor	15
PNP	PNP Bipolar Transistor	Q1	TO-220AB	PNP	1
Res Semi	Semiconductor Resistor	R1, R2, R3, R4, R5, R6, R7, R8, R9, R10, R11, R12, R13, R14, R15, R16, R17, R18, R21, R25, R27, R28, R31, R32, R33, R34, R35, R36, R37, R38, R39, R40, R41, R42, R43, R45, R46, R47, R48, R49, R50, R51, R52, R53, R54, R55, R56, R57, R58, R59, R60, R61, R62, R63, R64, R65, R67, R75, R76, R77, R78, R79, R80, R81, R81*, R82, R88, R95, R96, R97, R11, R12	Res_1206	Res Semi	72
1206	Semiconductor Resistor	R19, R20, R22, R23, R24, R26, R29, R30, R44, R66, R68, R69, R70, R71, R72, R73, R74, R83, R84, R85, R86, R87, R89, R90, R91, R92, R93, R94, R98, R99, R100, R101, R102, R103	Res_1206	Res Semi	34
BNC	BNC Elbow Connector	SIN, SOUT	BNC_AmphenoI75	BNC	2
Common Mode Choke 8ch	Common Mode Choke 8ch	T1, T2	SOIC16 WIDE	Common Mode Choke 8ch	2
SPDIF Trafo	SPDIF Trafo	T3, T4	SPDIF Trafo	SPDIF Trafo	2
74HC4520	Dual 4-bit synchronous binary counter	U1	SOIC16 Narrow	74HCT4520	1
74HC541	Octal Bus Buffer with 3 State Outputs (Non Inverted)	U2	SOIC20 Wide	Logic_541_Buffer	1
LM317T	Three-Terminal Adjustable Output Positive Voltage Regulator	U3, U7	SMT LM37/337	LM317T	2
74HCT541	Octal Bus Buffer with 3 State Outputs (Non Inverted)	U4, U5	SOIC20 Wide	Logic_541_Buffer	2
TL431	Adjustable Precision Shunt Regulator	U6, U8, U9, U10, U11, U12	TO-92u	TL431ACL P	6
NE5534P	Low-Noise Operational Amplifier	U13	DIP-8 - NO SILK	NE5534P	1
LVC04GU1	Logic Single 04	U15, U16	SOT-353	Logic_Single_04	2
LVC2G157	Logic Single MUX 157	U21, U22	SOP65P340-8N	Logic_Single_MUX_157	2
NC7WZ16	Logic Buffer Dual NC7WZ16	U666, U777, U2345	SOT-363	Logic_Buffer_Dual NC7WZ16	3
WM8804		WM8804	SSOP20	WM8804	1
XTAL 12M	Crystal Oscillator	Y2		Crystal Oscillator	1
XTAL 44.1k	Crystal Oscillator	Y3		Crystal Oscillator	1