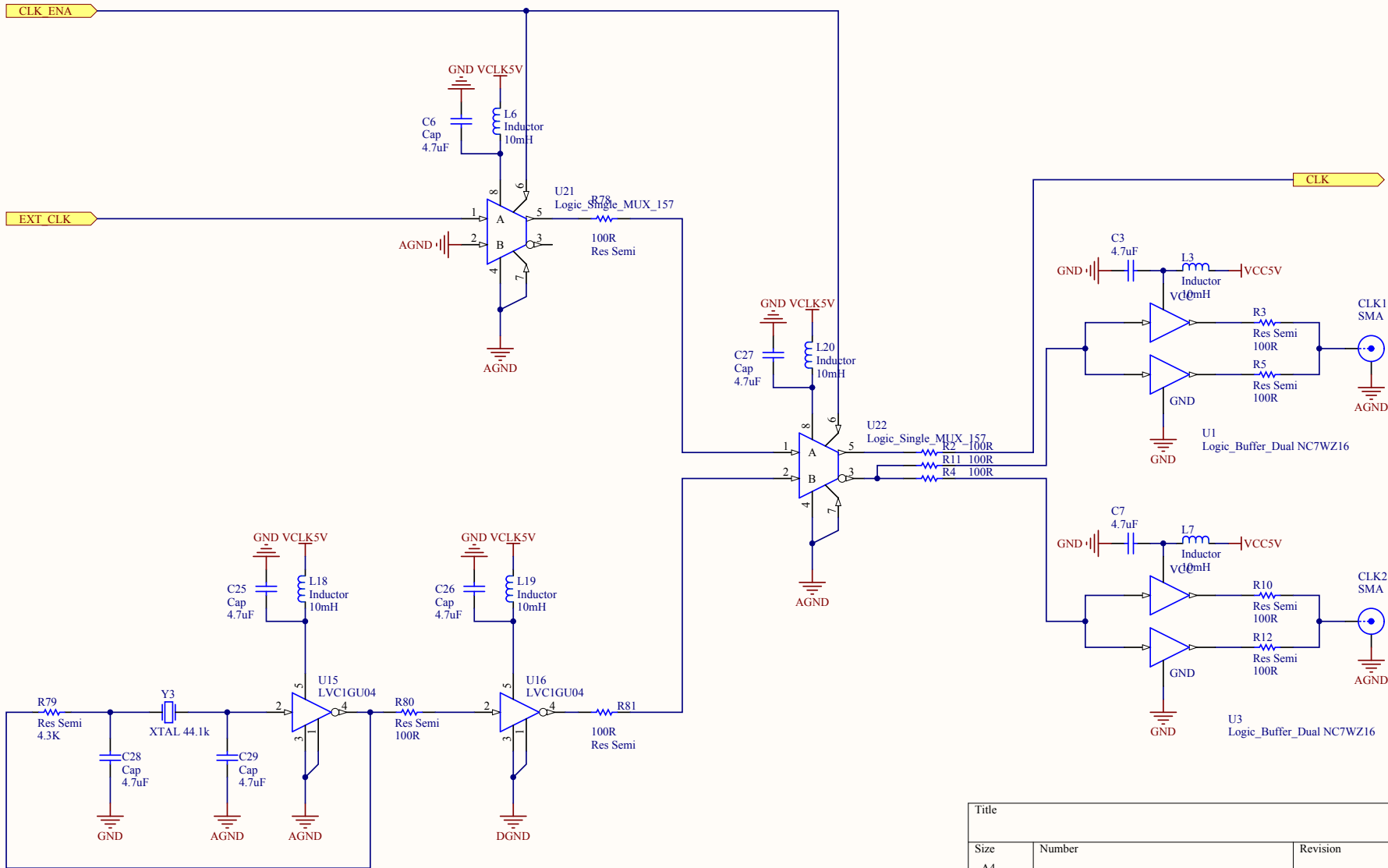
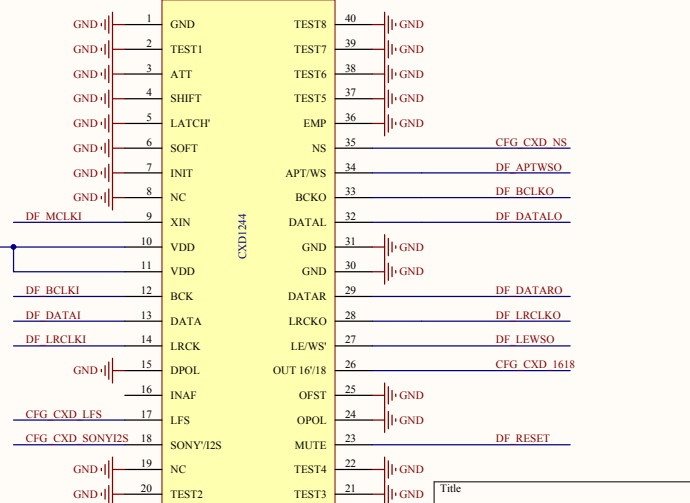
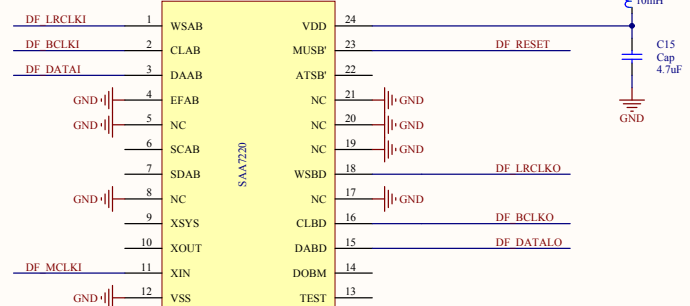
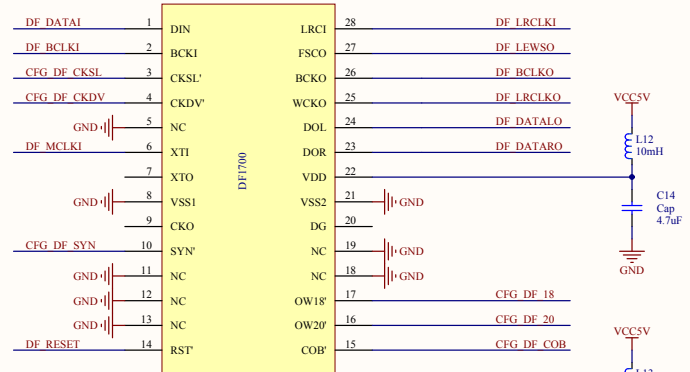
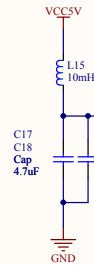
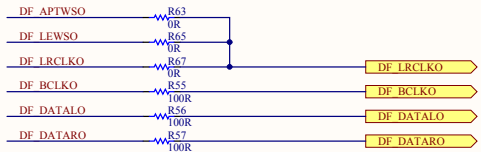
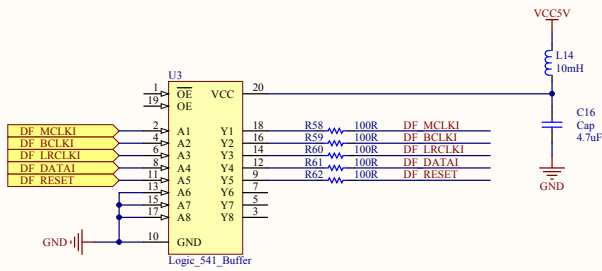
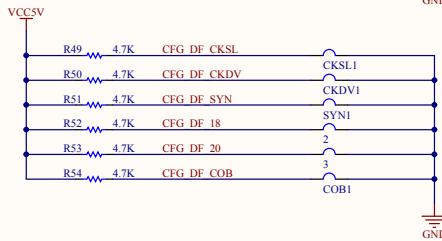
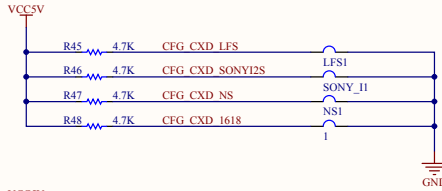


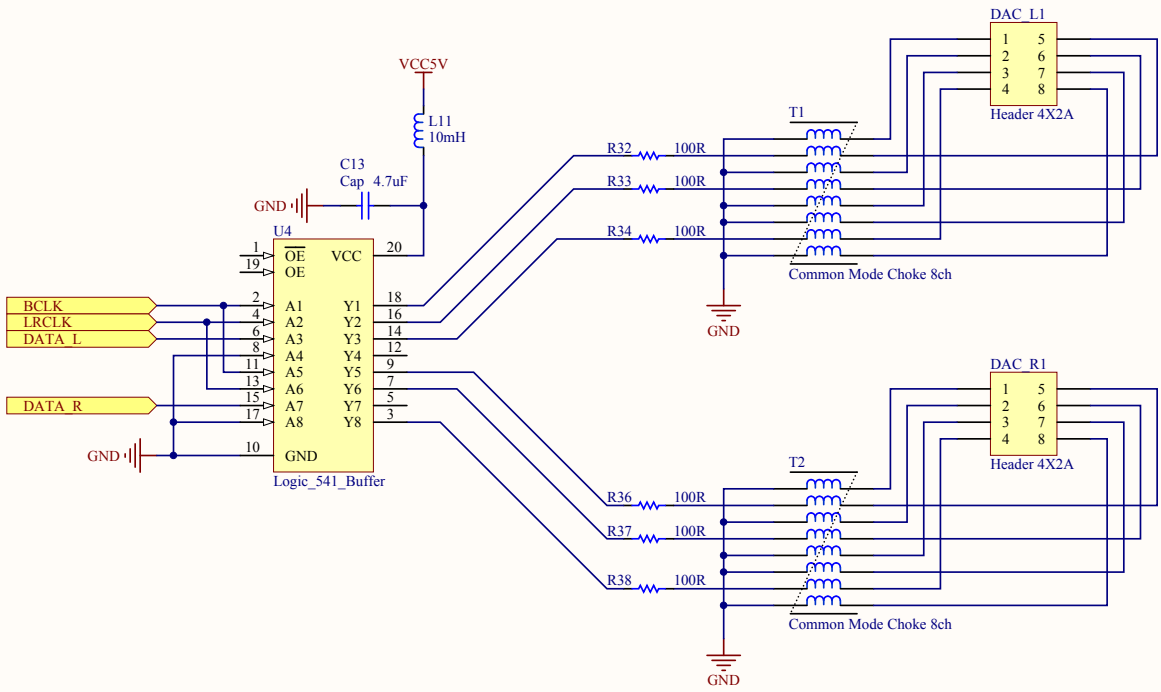
Title		
Size	Number	Revision
A4		
Date:	17/04/2014	Sheet of
File:	C:\s3tup\A\TOP.SchDoc	Drawn By:



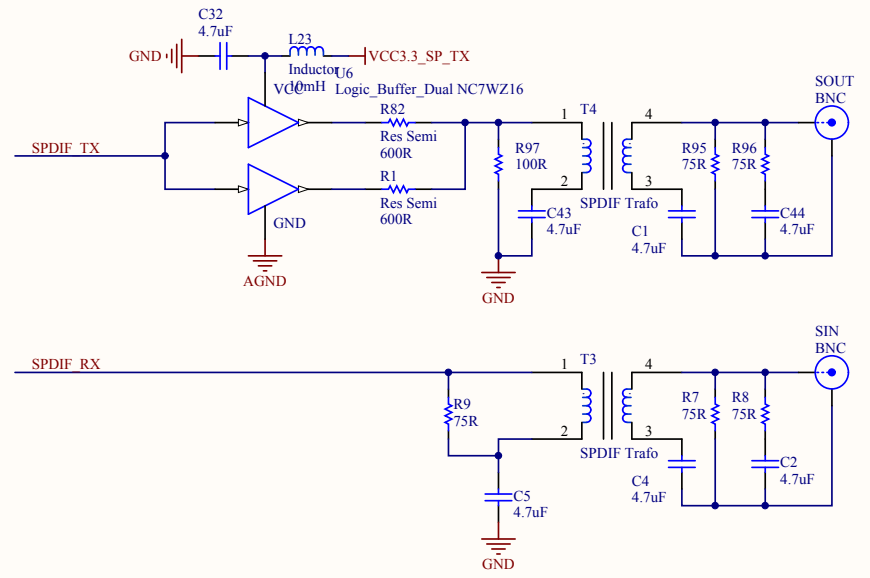
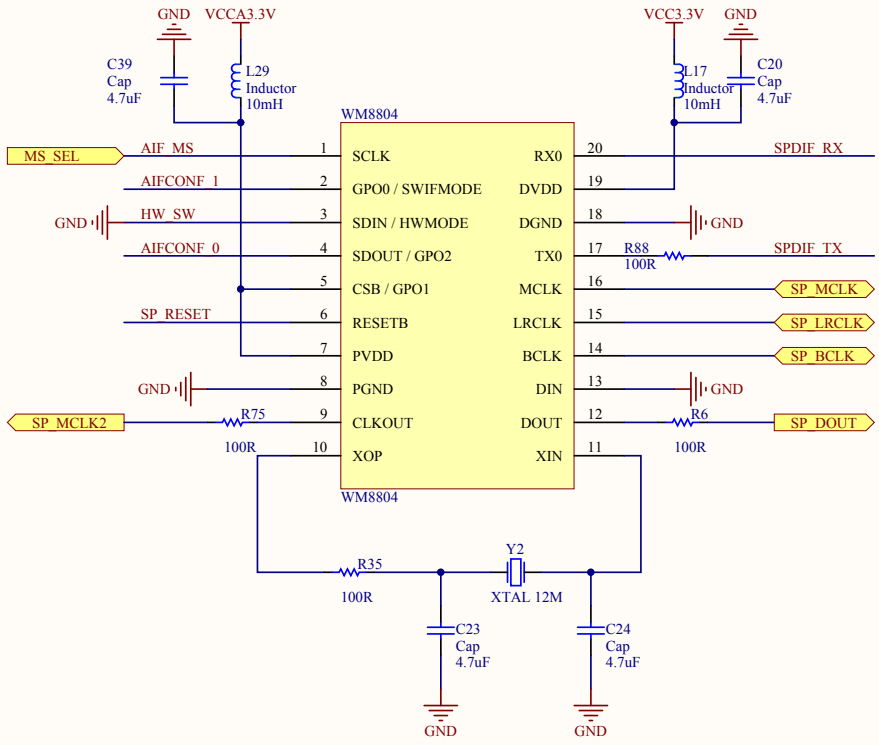
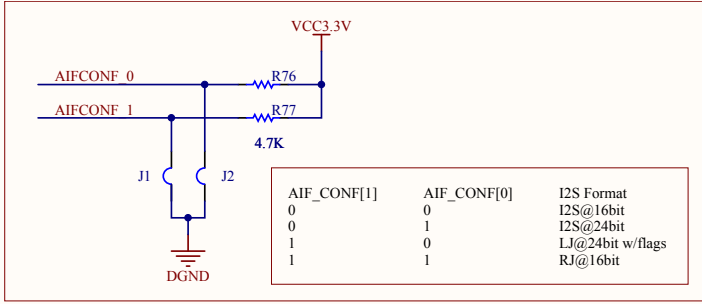
Title		
Size	Number	Revision
A4		
Date:	17/04/2014	Sheet of
File:	C:\s3tup\...\Clocking_SchDoc	Drawn By:



Title		
Size A3	Number	Revision
Date: 17/04/2014	Sheet of	
File: C:\3up\...DF_UMI_SchDoc	Drawn By:	



Title		
Size	Number	Revision
A4		
Date:	17/04/2014	Sheet of
File:	C:\s3tup\DAC_OUT.SchDoc	Drawn By:



Title		
Size	Number	Revision
A4		
Date:	17/04/2014	Sheet of
File:	C:\s3tup\...WM8804.SchDoc	Drawn By:

1

2

3

4

A

A

B

B

C

C

D

D

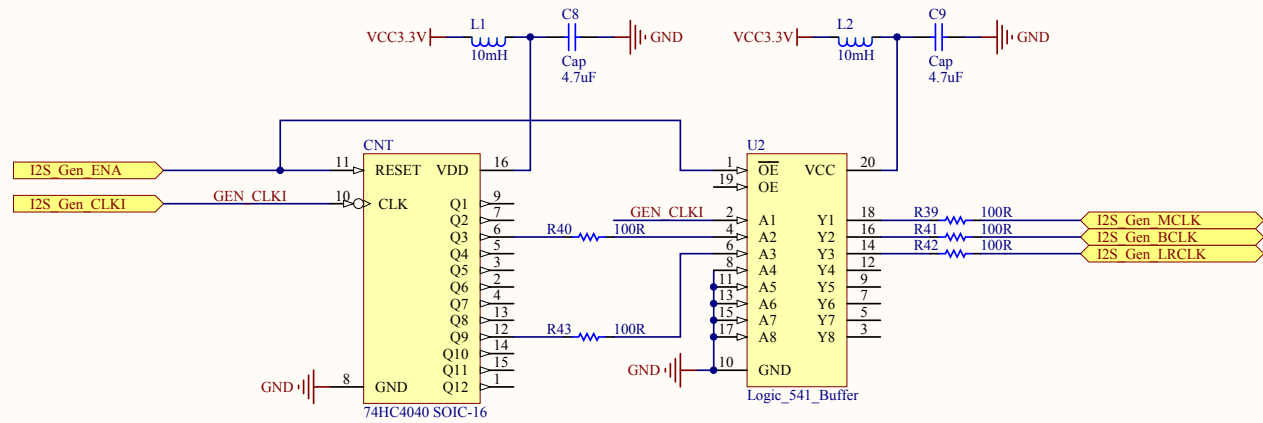
Title		
Size A4	Number	Revision
Date: 17/04/2014	Sheet	of
File: C:\s3tup\...PS.SchDoc	Drawn By:	

1

2

3

4



Title		
Size A4	Number	Revision
Date: 17/04/2014	Sheet of	
File: C:\s3tup\A2S_Generator.SchDoc	Drawn By:	

Comment	Description	Designator	Footprint	LibRef	Quantity
MicroJumper		1, 2, 3, CKDV1, CKSL1, COB1, LFS1, NS1, SONY_I1, SYN1	Jumper	MicroJumper	10
Cap	Capacitor	C1, C2, C3, C4, C5, C6, C7, C8, C9, C13, C14, C15, C16, C17, C18, C20, C23, C24, C25, C26, C27, C28, C29, C32, C39, C43, C44	1210_TH	Cap	27
SMA	SMA Straight Connector	CLK1, CLK2	SMB_V-RJ45	SMA	2
74HC4040 SOIC-16	12-Stage Binary Ripple Counter	CNT	SOIC16 Narrow	MC74HC4040AD	1
CXD1244S		CXD1244	CXD1244S	CXD1244S	1
Header 4X2A	Header, 4-Pin, Dual row	DAC_L1, DAC_R1	HDR2X4_CEN	Header 4X2A	2
DF1700		DF1700	DIP-28/ D36.6	DF1700	1
AIFCONF_1		J1	TinyJumper	MicroJumper	1
AIFCONF_0		J2	TinyJumper	MicroJumper	1
Inductor	Inductor	L1, L2, L3, L6, L7, L11, L12, L13, L14, L15, L17, L18, L19, L20, L23, L29	Ferrite_1206	Inductor	16
Res Semi	Semiconductor Resistor	R1, R2, R3, R4, R5, R6, R7, R8, R9, R10, R11, R12, R32, R33, R34, R35, R36, R37, R38, R39, R40, R41, R42, R43, R45, R46, R47, R48, R49, R50, R51, R52, R53, R54, R55, R56, R57, R58, R59, R60, R61, R62, R63, R65, R67, R75, R76, R77, R78, R79, R80, R81, R82, R88, R95, R96, R97	Res_1206	Res Semi	57
SAA7220		SAA7220	DIP-24/ D32.3	SAA7220	1
BNC	BNC Elbow Connector	SIN, SOUT	BNC_AmphenoI75	BNC	2
Common Mode Choke 8ch	Common Mode Choke 8ch	T1, T2	SOIC16 WIDE	Common Mode Choke 8ch	2
SPDIF Trafo	SPDIF Trafo	T3, T4	0402-A	SPDIF Trafo	2
Logic_Buffer_Dual NC7WZ16	Logic Buffer Dual NC7WZ16	U1, U3, U6	SOT-363	Logic_Buffer_Dual NC7WZ16	3
Logic_541_Buffer	Octal Bus Buffer with 3 State Outputs (Non Inverted)	U2, U3, U4	SOIC20 Wide	Logic_541_Buffer	3
LVC1GU04	Logic Single 04	U15, U16	PLCC20_N	Logic_Single_04	2
Logic_Single_MUX_157	Logic Single MUX 157	U21, U22	SOP65P340-8N	Logic_Single_MUX_157	2
WM8804		WM8804	SSOP20	WM8804	1
XTAL 12M	Crystal Oscillator	Y2		Crystal Oscillator	1
XTAL 44.1k	Crystal Oscillator	Y3		Crystal Oscillator	1