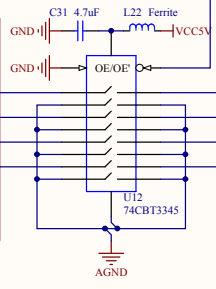
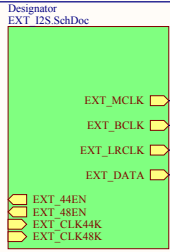
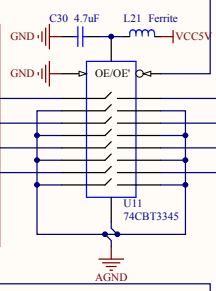
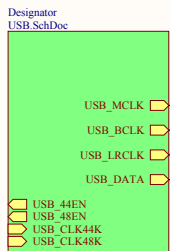
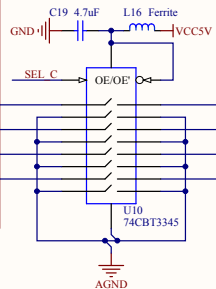
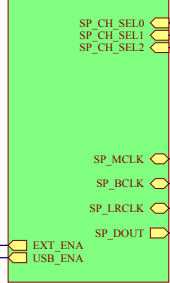
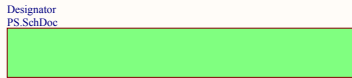
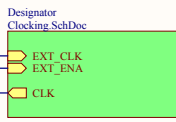
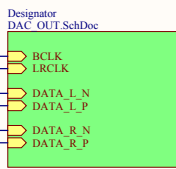
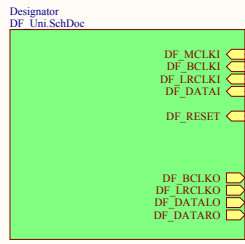
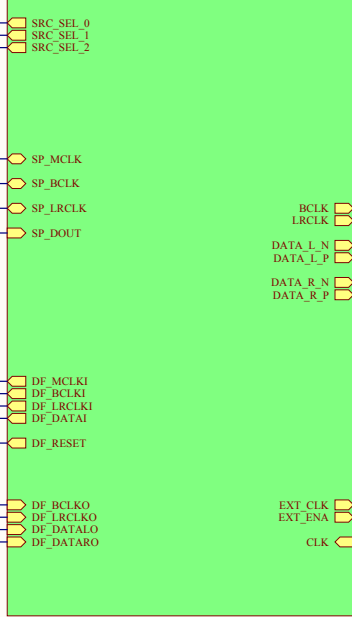


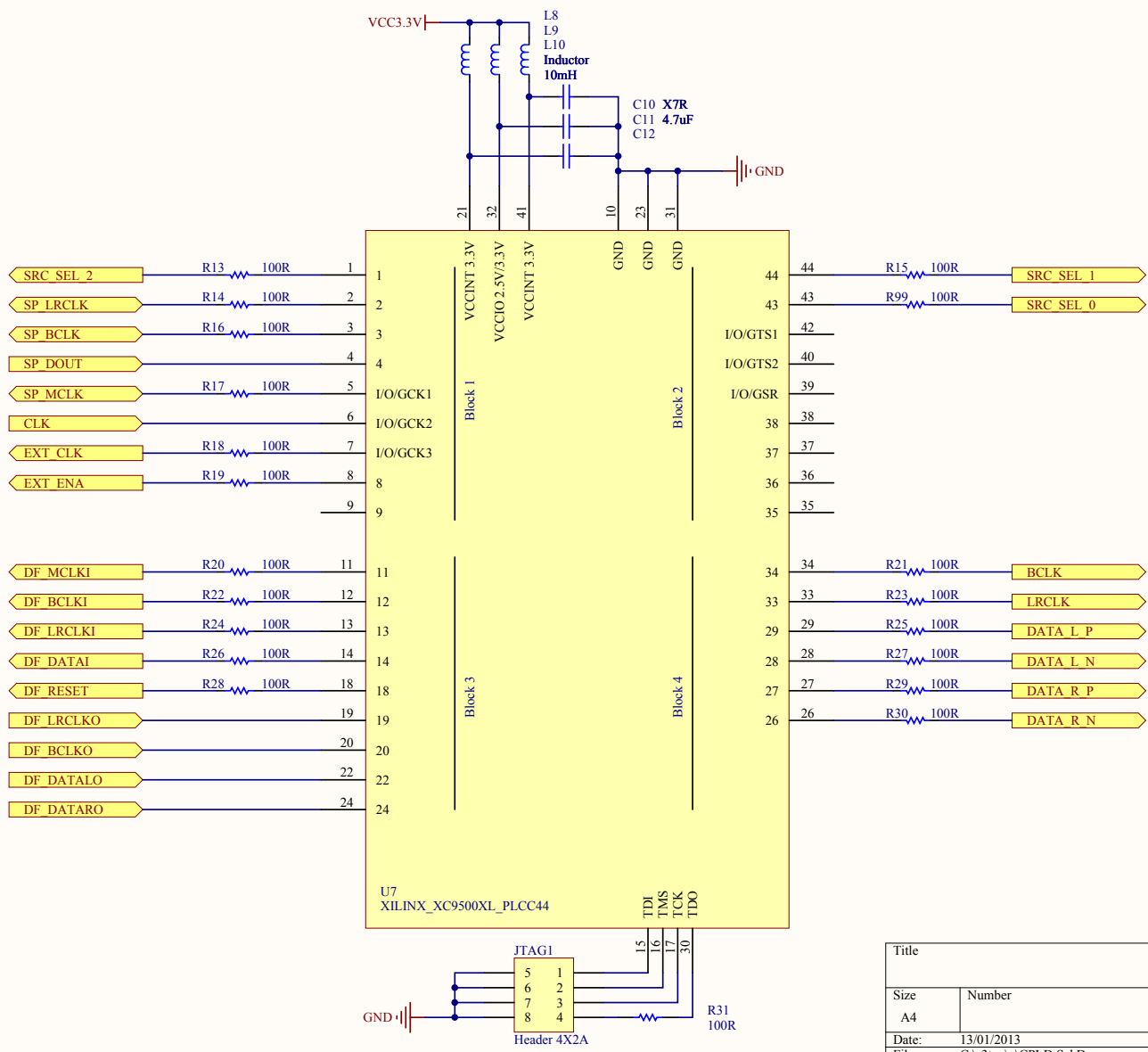
Designator
WM8804 SchDoc



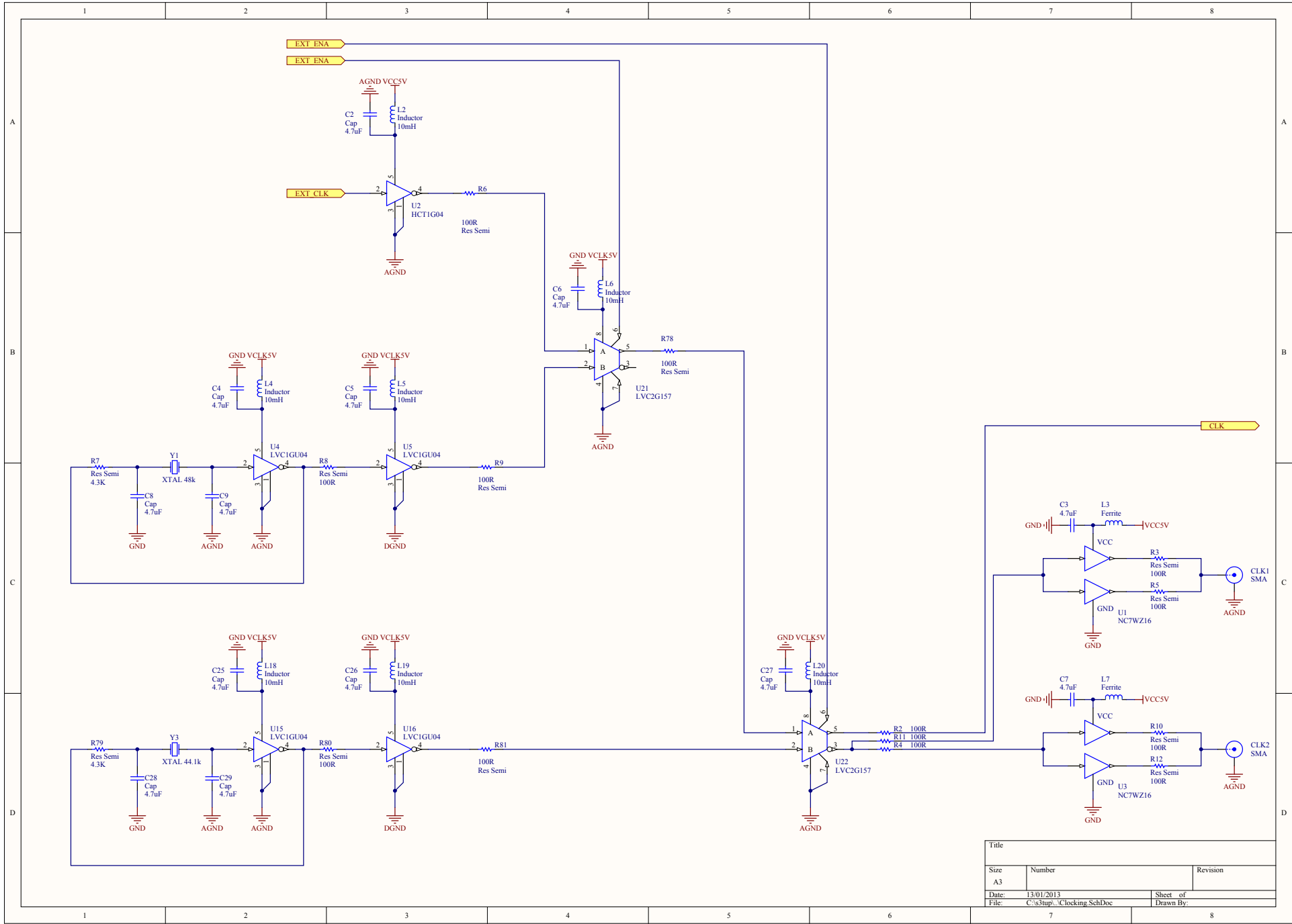
Designator
CPLD SchDoc



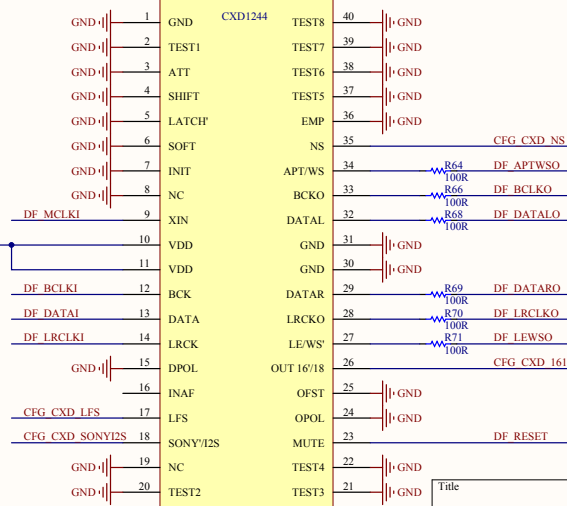
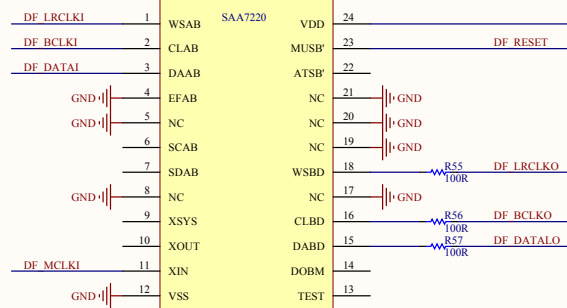
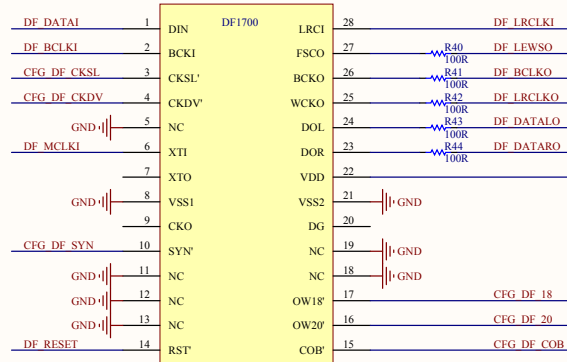
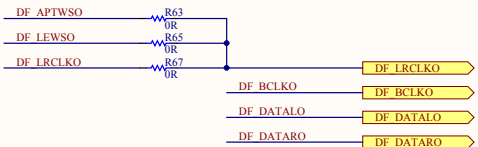
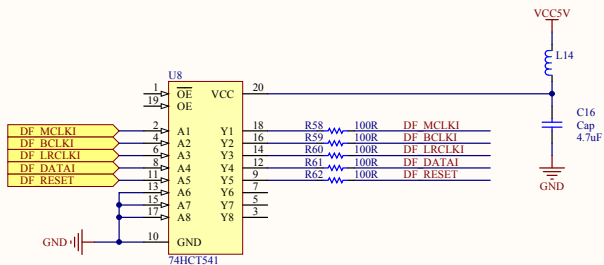
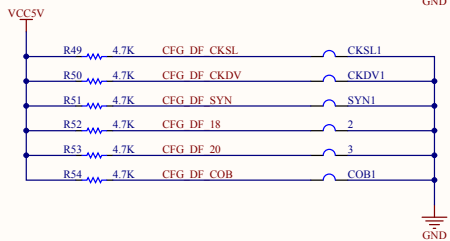
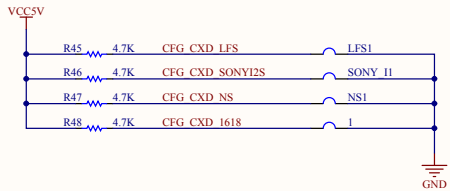
Title		
Size A3	Number	Revision
Date: 13/01/2013	Sheet of	
File: C:\3sup\...TOP SchDoc	Drawn By:	



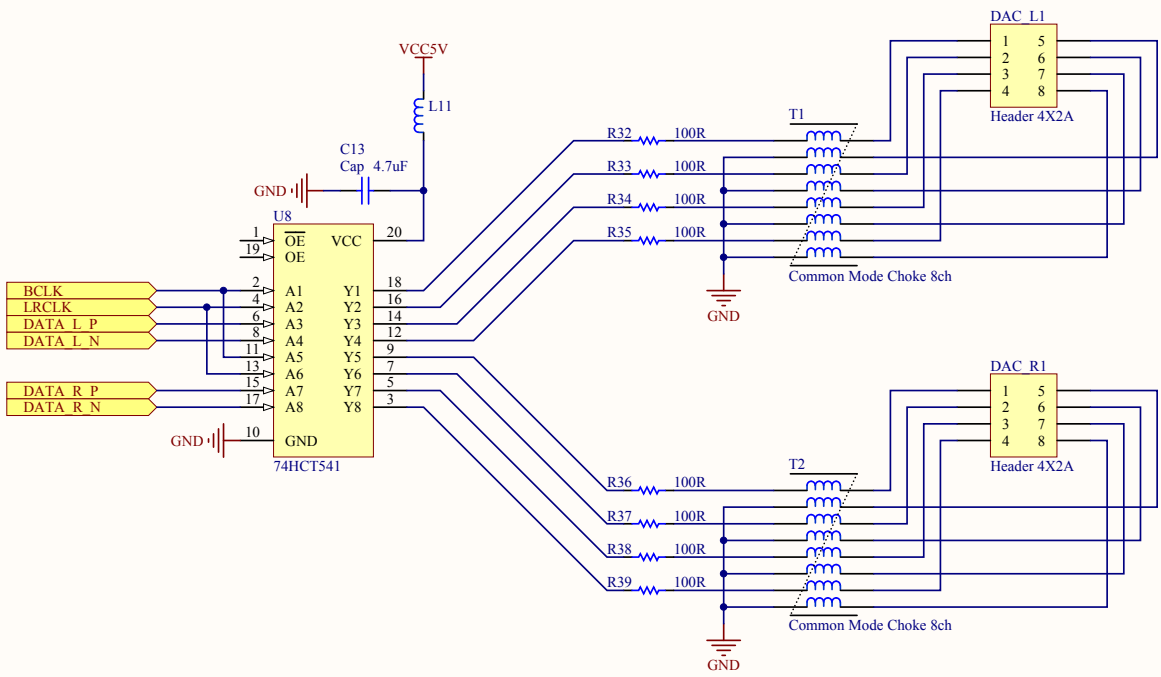
Title		
Size	Number	Revision
A4		
Date:	13/01/2013	Sheet of
File:	C:\s3tup\...CPLD.SchDoc	Drawn By:



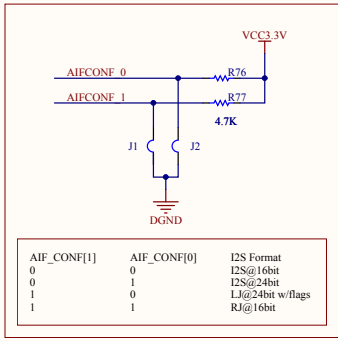
Title		
Size	Number	Revision
A3		
Date:	13/01/2013	Sheet of
File:	C:\3up\...Clocking SchDoc	Drawn By:



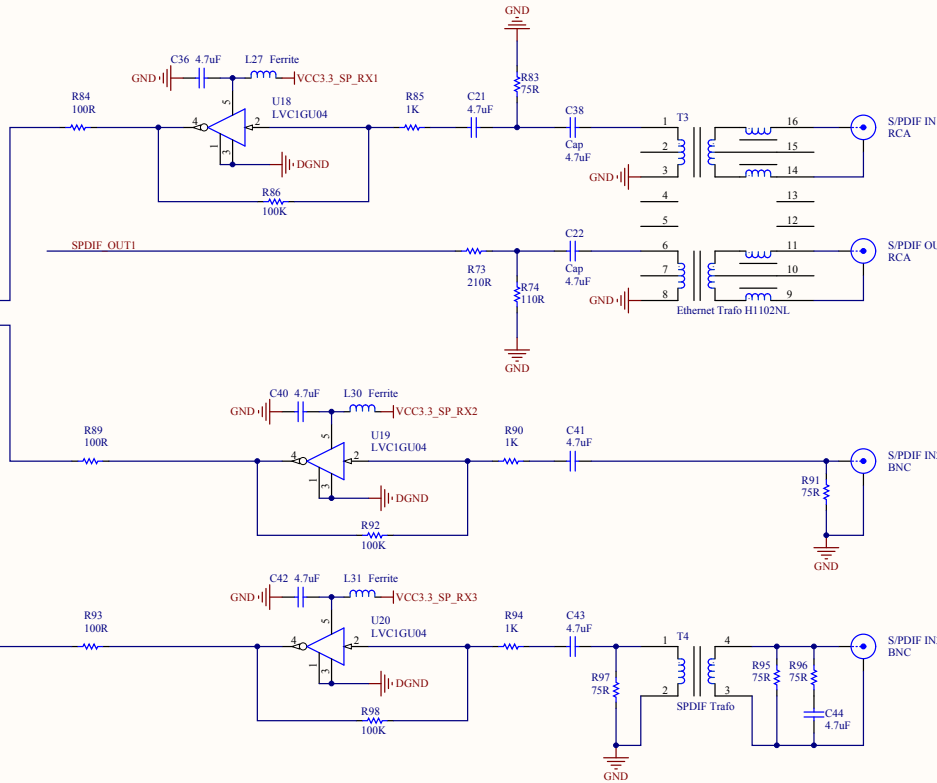
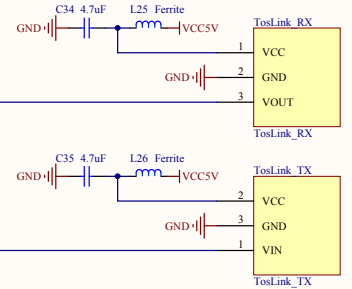
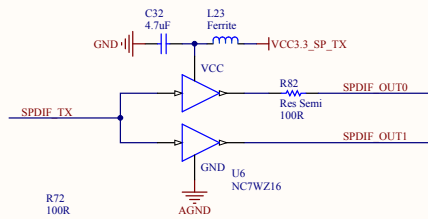
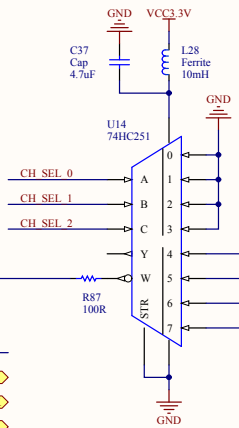
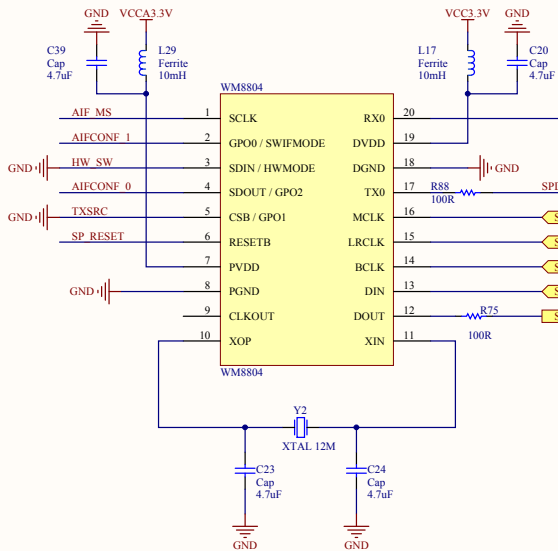
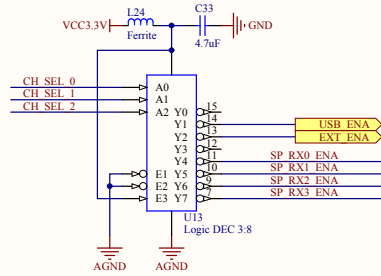
Title		
Size	Number	Revision
A3		
Date:	13/01/2013	Sheet of
File:	C:\3up\...DF Um SchDoc	Drawn By:



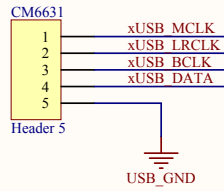
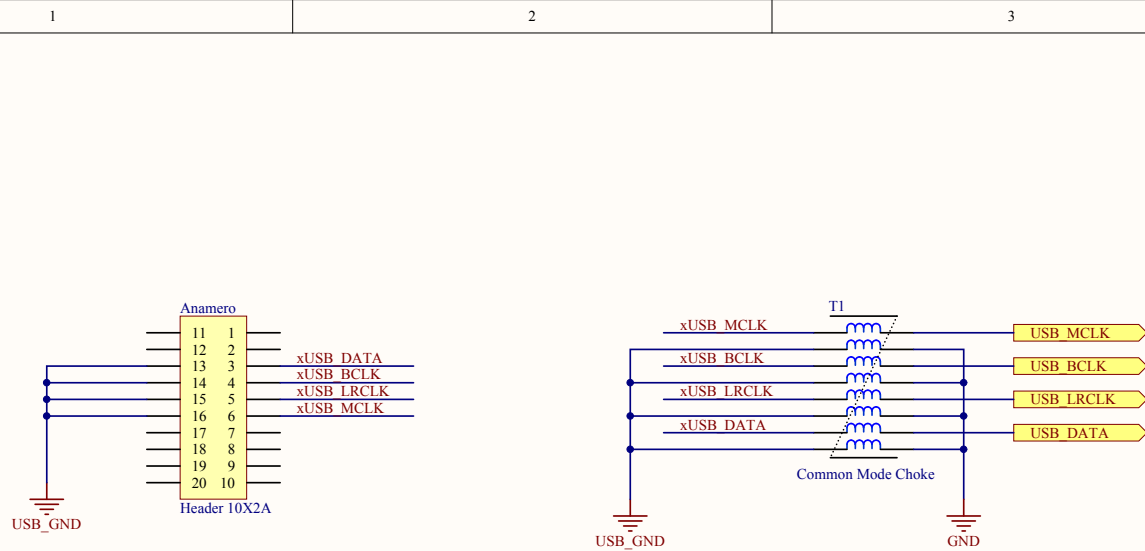
Title		
Size	Number	Revision
A4		
Date:	13/01/2013	Sheet of
File:	C:\s3tup\DAC_OUT.SchDoc	Drawn By:



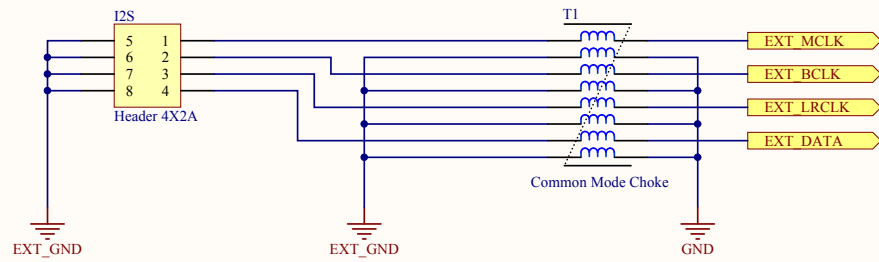
AIF_CONF[1]	AIF_CONF[0]	I2S Format
0	0	I2S@16bit
0	1	I2S@24bit
1	0	LJ@24bit w/flags
1	1	RJ@16bit



Title		
Size	Number	Revision
A3		
Date:	13/01/2013	Sheet of
File:	C:\3up\...WMS804 SchDoc	Drawn By:



Title		
Size	Number	Revision
A4		
Date:	13/01/2013	Sheet of
File:	C:\s3tup\A\USB.SchDoc	Drawn By:



- EXT 44EN
- EXT 48EN
- EXT CLK48K
- EXT CLK44K

Title		
Size A4	Number	Revision
Date: 13/01/2013	Sheet	of
File: C:\s3tup\EXT_I2S.SchDoc	Drawn By:	

1

2

3

4

A

A

B

B

C

C

D

D

Title		
Size	Number	Revision
A4		
Date:	13/01/2013	Sheet of
File:	C:\s3tup\PS.SchDoc	Drawn By:

1

2

3

4

Comment	Description	Designator	Footprint	LibRef	Quantity
AIFCONF_1		1, 2, 3, CKDVT1, CKSL1, OOB1, J1, LFS1, NS1, SONY_11, SYN1	TinyJumper	MicroJumper	11
Header 10X2A	Header, 10-Pin, Dual row	Anamero	HDR2X10_CEN	Header 10X2A	1
Cap	Capacitor	C2, C3, C4, C5, C6, C7, C8, C9, C13, C14, C15, C16, C17, C18, C19, C20, C21, C22, C23, C24, C25, C26, C27, C28, C29, C30, C31, C32, C33, C34, C35, C36, C37, C38, C39, C40, C41, C42, C43, C44	1210_TH	Cap	40
X7R	Capacitor	C10, C11, C12	1210_TH	Cap	3
SMA	SMA Straight Connector	CLK1, CLK2	SMB_V-RJ45	SMA	2
Header 5	Header, 5-Pin	CM6631	HDR1X5	Header 5	1
CXD1244S		CXD1244	CXD1244S	CXD1244S	1
Header 4X2A	Header, 4-Pin, Dual row	DAC_L1, DAC_R1, IZS, JTAG1	HDR2X4_CEN	Header 4X2A	4
DF1700		DF1700	CXD1244S	DF1700	1
AIFCONF_0		J2	TinyJumper	MicroJumper	1
Inductor	Inductor	L2, L4, L5, L6, L8, L9, L10, L18, L19, L20, L25, L26, L27, L30, L31	0402-A	Inductor	15
Femte	Inductor	L3, L7, L11, L12, L13, L14, L15, L16, L17, L21, L22, L23, L24, L28, L29	0402-A	Inductor	15
Res Semi	Semiconductor Resistor	R2, R3, R4, R5, R6, R7, R8, R9, R10, R11, R12, R13, R14, R15, R16, R17, R18, R19, R20, R21, R22, R23, R24, R25, R26, R27, R28, R29, R30, R31, R32, R33, R34, R35, R36, R37, R38, R39, R40, R41, R42, R43, R44, R45, R46, R47, R48, R49, R50, R51, R52, R53, R54, R55, R56, R57, R58, R59, R60, R61, R62, R63, R64, R65, R66, R67, R68, R69, R70, R71, R72, R73, R74, R75, R76, R77, R78, R79, R80, R81, R82, R83, R84, R85, R86, R87, R88, R89, R90, R91, R92, R93, R94, R95, R96, R97, R98, R99	Res_1206	Res Semi	98
RCA	SMA Straight Connector	S/PDIF IN1, S/PDIF OUT1	SMB_V-RJ45	SMA	2
BNC	SMA Straight Connector	S/PDIF IN2, S/PDIF IN3	SMB_V-RJ45	SMA	2
SAA7220		SAA7220	CXD1244S	SAA7220	1
Common Mode Choke 8ch	Common Mode Choke 8ch	T1	0402-A	Common Mode Choke 8ch	2
Common Mode Choke 8ch	Common Mode Choke 8ch	T1, T2	0402-A	Common Mode Choke 8ch	2
Ethernet Trafo H1102NL	Ethernet Trafo H1102NL	T3	0402-A	Ethernet Trafo H1102NL	1
SPDIF Trafo	SPDIF Trafo	T4	0402-A	SPDIF Trafo	1
TosLink_RX	TosLink_RX	TosLink_RX	CXD1244S	TosLink_RX	1
TosLink_TX	TosLink_TX	TosLink_TX	CXD1244S	TosLink_TX	1
NC7WZ16	Logic Buffer Dual NC7WZ16	U1, U3, U6	PLCC20_N	Logic_Buffer_Dual NC7WZ16	3
HCT1G04	Logic Single 04	U2	PLCC20_N	Logic_Single_04	1
LVC1GU04	Logic Single 04	U4, U5, U15, U16, U18, U19, U20	PLCC20_N	Logic_Single_04	7
XLINK_XC9500XL_PLC C44		U7		XLINK_XC9500XL_PLC C44	1
74HCT541	Octal Bus Buffer with 3 State Outputs (Non Inverted)	U8	CDIP20	M54HC241HVF1R	2
74CBT3345	Logic Analog Switch 74CBT3345	U10, U11, U12	PLCC20_N	Logic_Analog_Switch 74CBT3345	3
Logic DEC 3:8	Logic DEC 3:8	U13	PLCC20_N	Logic_DEC_3:8	1
74HC251	Logic MUX 8:1 74HC251	U14	PLCC20_N	Logic_MUX_8:1_74HC251	1
LVC2G157	Logic Single MUX 157	U21, U22	PLCC20_N	Logic_Single_MUX_157	2
WM8804		WM8804	DIP-P28	WM8804	1
XTAL 48k	Crystal Oscillator	Y1		Crystal Oscillator	1
XTAL 12M	Crystal Oscillator	Y2		Crystal Oscillator	1
XTAL 44.1k	Crystal Oscillator	Y3		Crystal Oscillator	1