

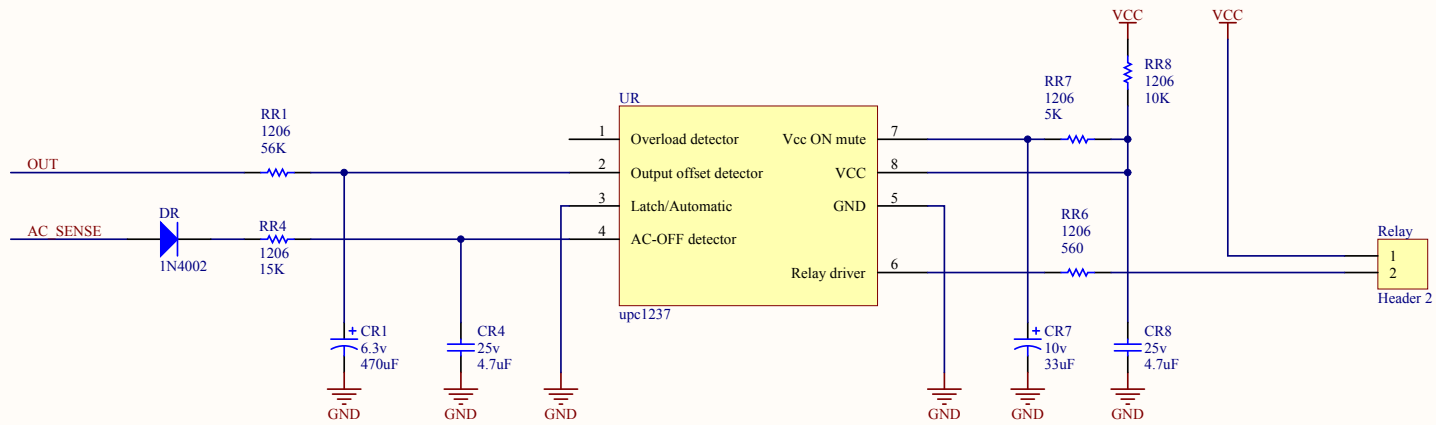
Optional lead/lag compensation for LM3886
(required for gain of less than 10)

Zobel / output RFI filter / high-C load fix

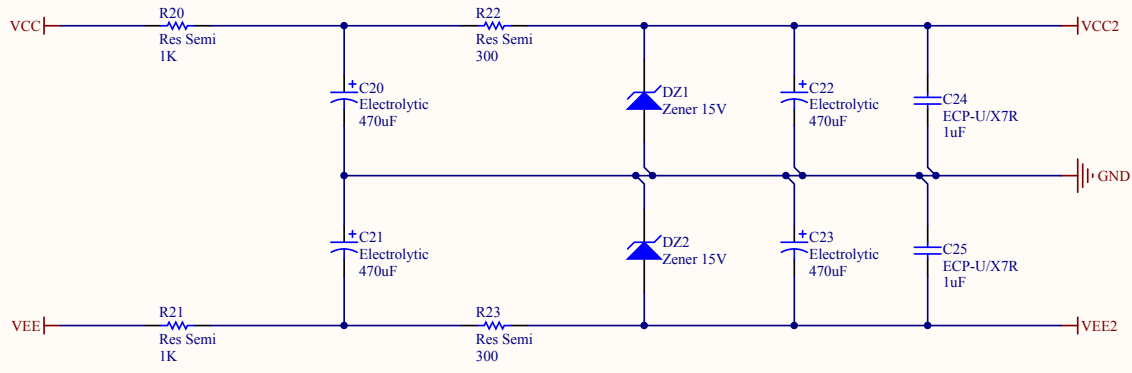
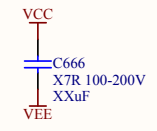
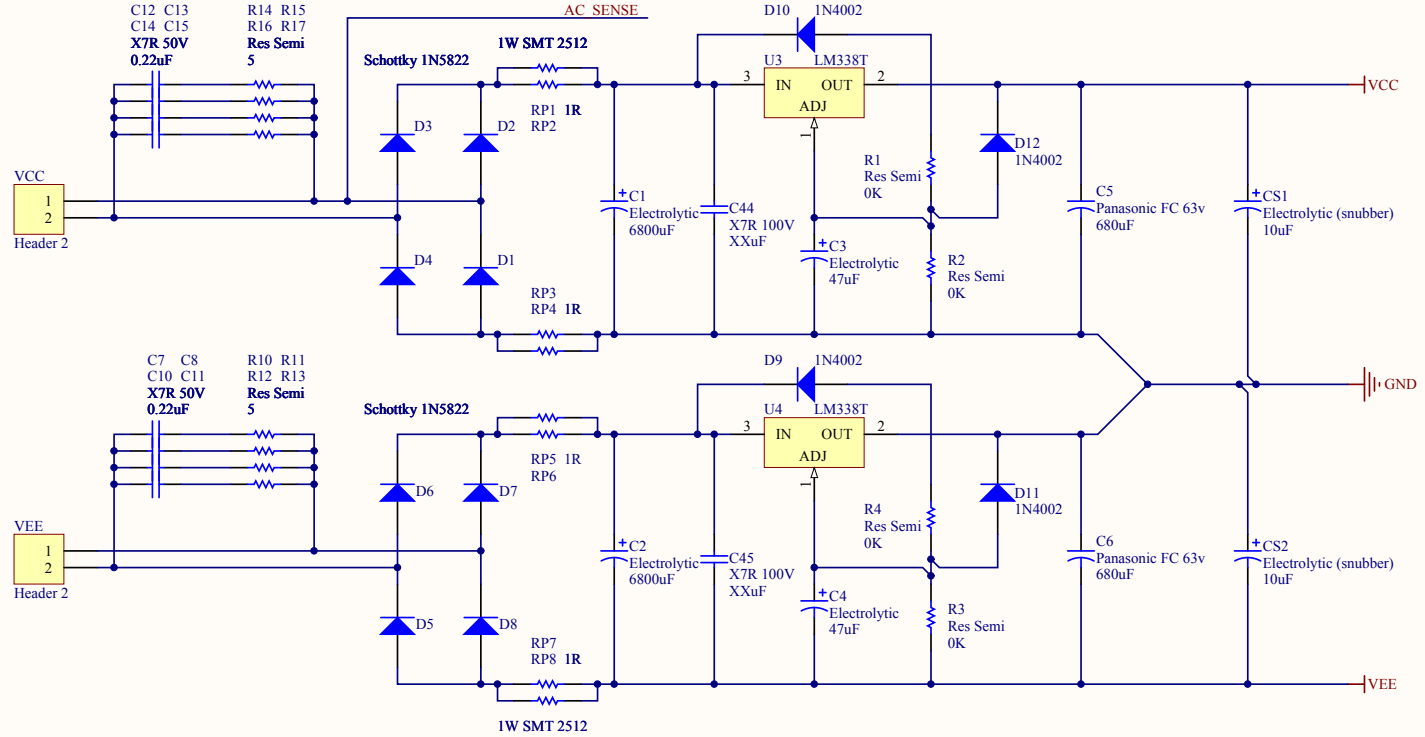
Lo1* Inductor 1.5uH
Cs1* MKP 0.1uF
Ro1* 5R
Ro2* 5R
Lo2* Inductor 1.5uH
Rs1* 2W MOX/TF 5R

- Put as far as possible from input RCAs
- Mount on speaker connectors (at amplifier's side)

Title		
Size A4	Number	Revision
Date: 03/12/2012	Sheet of	
File: C:\s3tup\...\Amplifier.SchDoc	Drawn By:	



Title		
Size	Number	Revision
A4		
Date:	03/12/2012	Sheet of
File:	C:\s3tup\Protection_SchDoc	Drawn By:



Title		
Size	Number	Revision
A4		
Date:	03/12/2012	Sheet of
File:	C:\s3tup\Supply.SchDoc	Drawn By: