

1

2

3

4

A

A

B

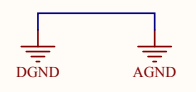
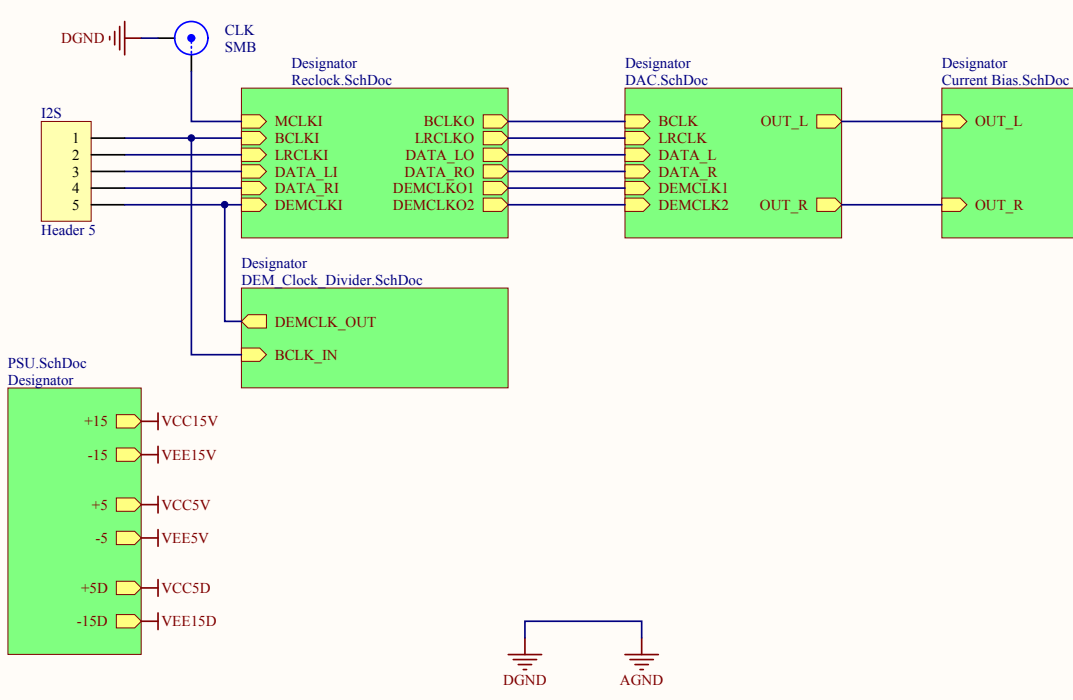
B

C

C

D

D



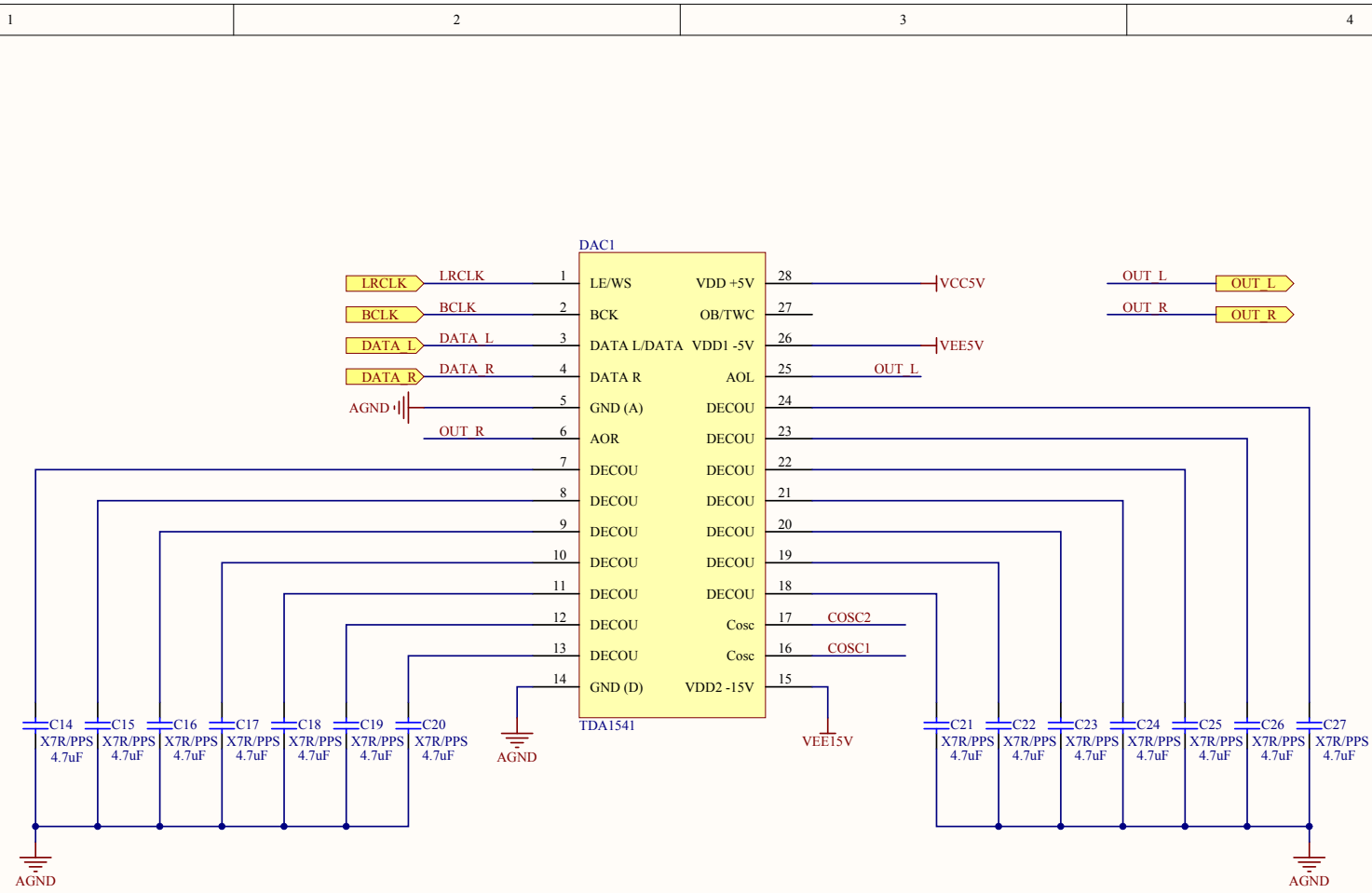
Title		
Size	Number	Revision
A4		
Date:	23/05/2012	Sheet of
File:	C:\s3tup\Altium\TDA1541_DAC\Top.SchDoc	Drawn By:

1

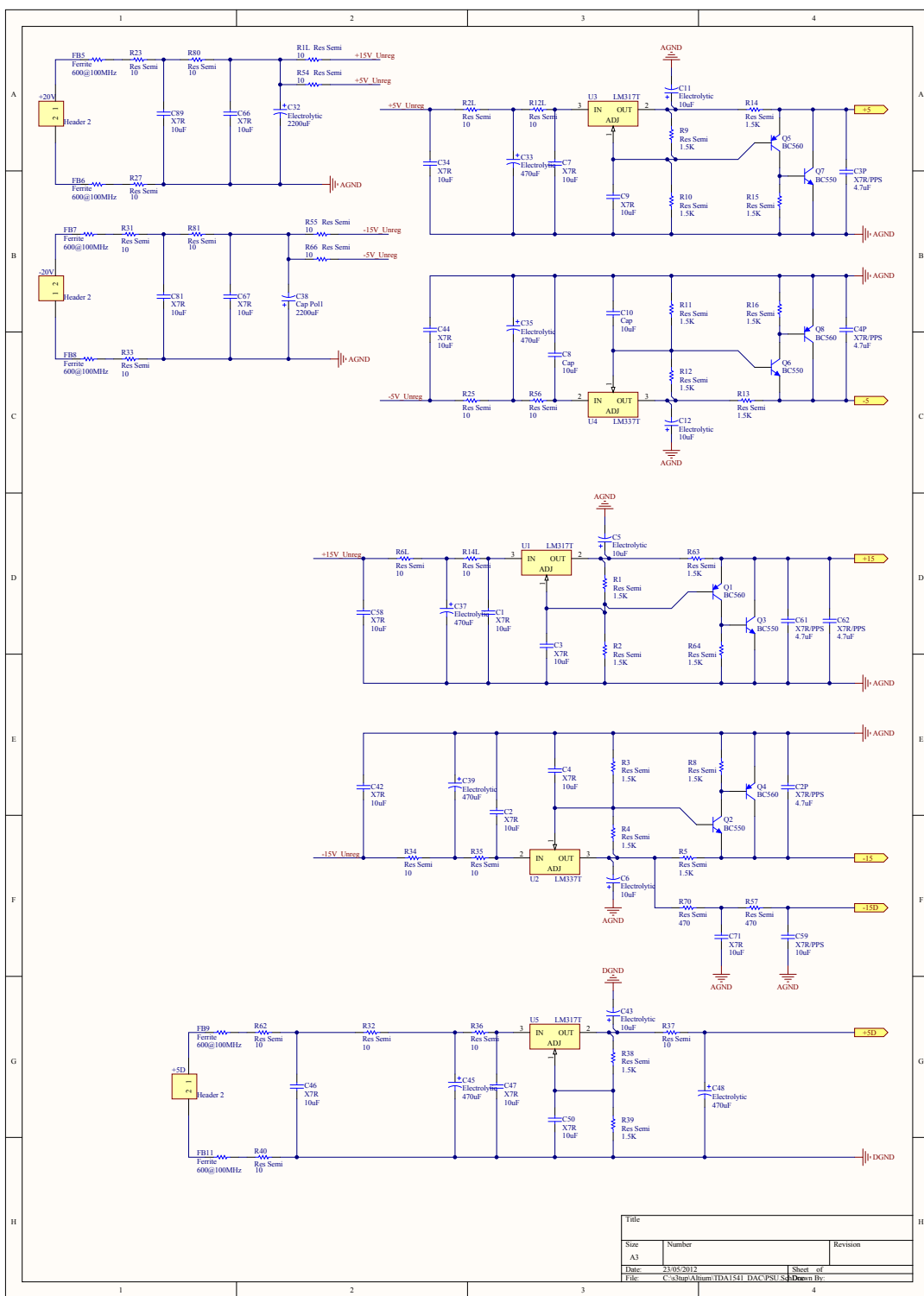
2

3

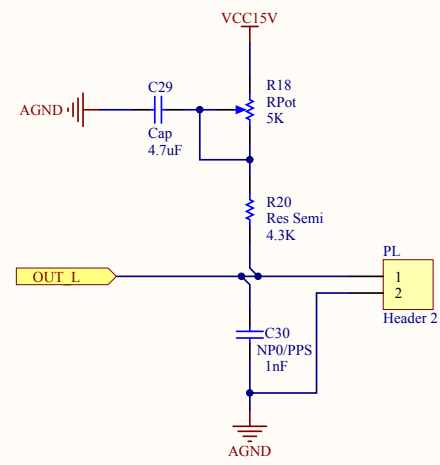
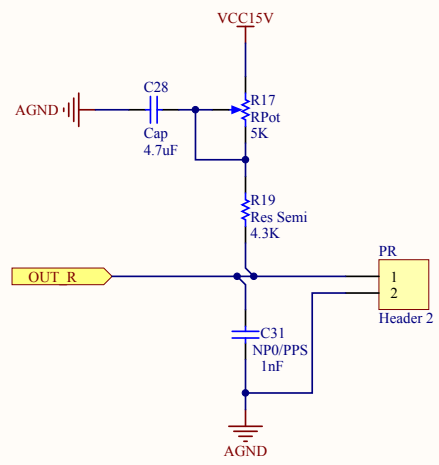
4



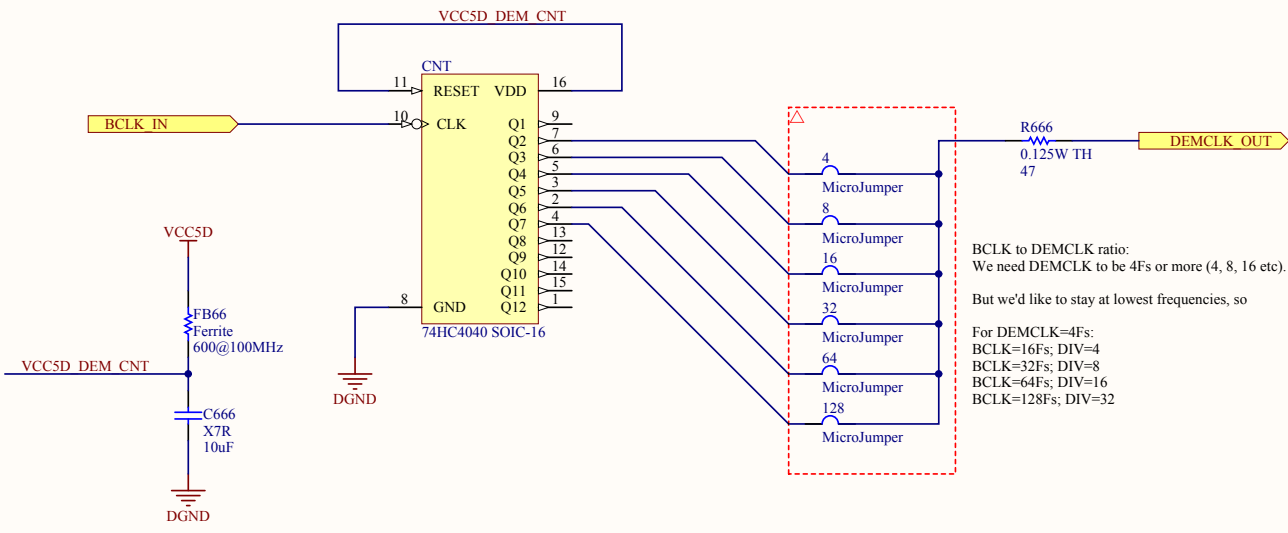
Title		
Size	Number	Revision
A4		
Date:	23/05/2012	
File:	C:\s3tup\Altium\TDA1541_DAC\DAC.SchDoc	
	Sheet of	
	Download By:	



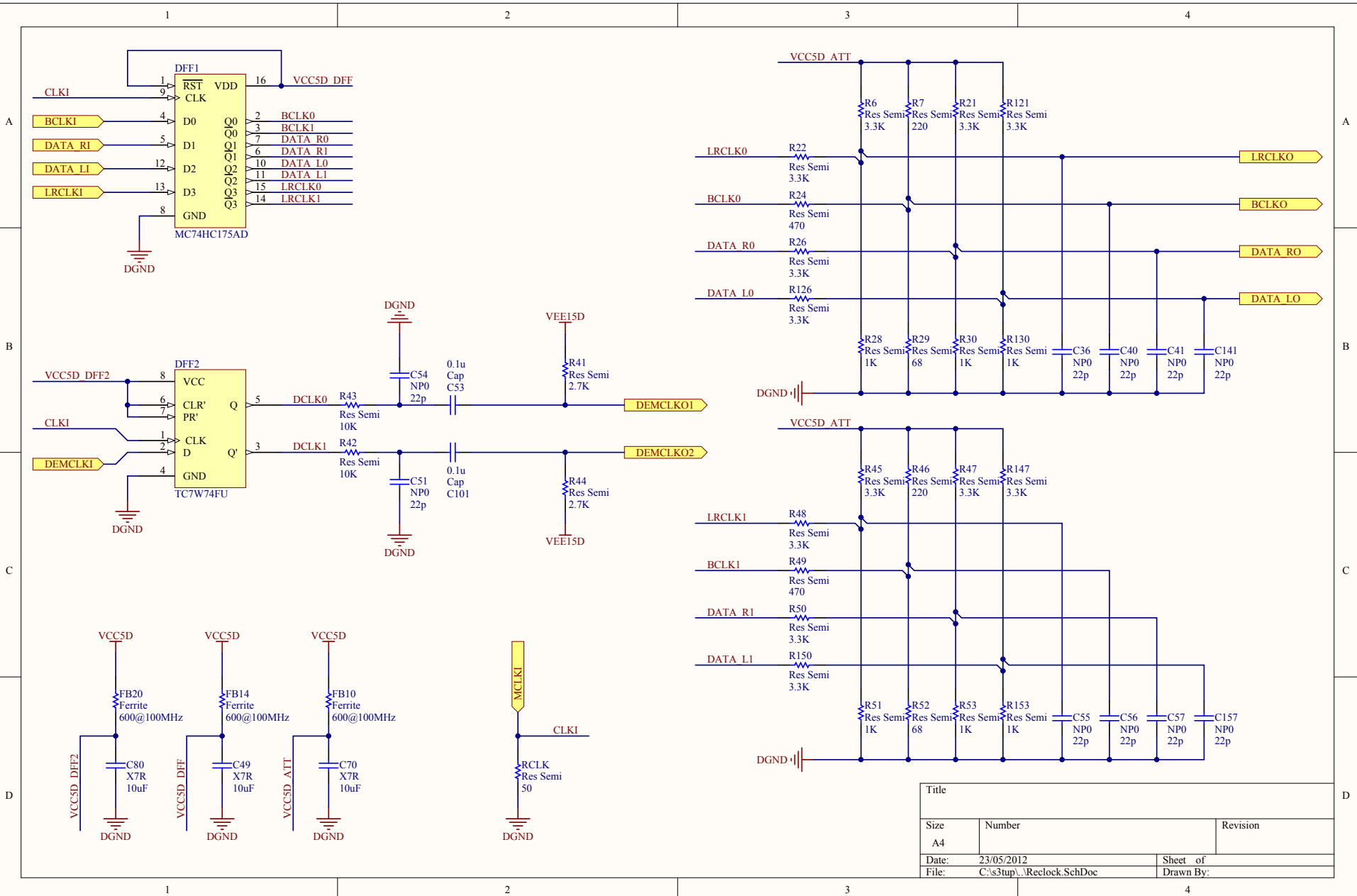
Title		
Size	Number	Revision
A3		
Date:	3/18/2012	Sheet of
File:	C:\Sun\Aham\EDA\541_DAC\PSU_S4	Drawn By:



Title		
Size	Number	Revision
A4		
Date:	23/05/2012	Sheet of
File:	C:\s3tup\...\Current Bias.SchDoc	Drawn By:



Title		
Size	Number	Revision
A4		
Date:	23/05/2012	Sheet of
File:	C:\s3tup\ADEM_Clock_Divider.SchDoc	Drawn By:



Title		
Size	Number	Revision
A4		
Date:	23/05/2012	Sheet of
File:	C:\s3tup\Reclock.SchDoc	Drawn By: